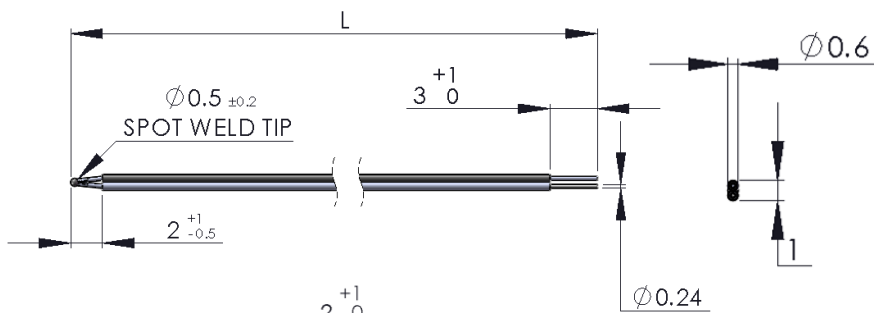


# MINIATURE THERMOCOUPLE

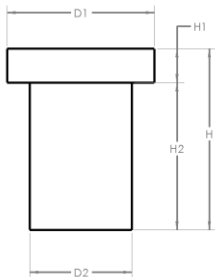
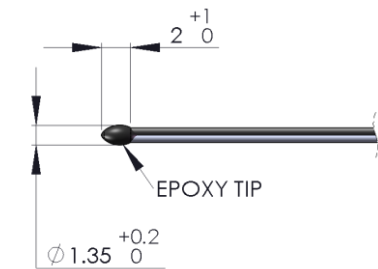
Explore our miniature Thermocouples, the pinnacle of temperature measurement technology. These precision instruments are engineered with market leading accuracy and reliability in temperature monitoring across diverse applications.

Our unique miniature thermocouples come with the option of being coated with thermal epoxy, making them ideal for applications that require electrical isolation from the test subjects. They offer rapid response times and can withstand harsh environmental conditions, ensuring consistent and trustworthy data in any situation. We also provide customizations of thermocouples, providing them preassembled with a fabricated tip tailored to your specific requirements.

Whether you're in research, industrial, or scientific fields, our miniature thermocouples are your dependable choice for temperature measurement. Experience precision, durability, and versatility like never before with our thermocouple solutions.



Selection of connectors available



H:  
H1:  
H2:  
D1:  
D2:  
Material:

Fabricated tip general dimensions

Ordering info: **MT T30-X-S-L**

Thermocouple Type	
T	Type T
K	Type K

Wire Gauge	
24	24 AWG
30	30 AWG
36	36 AWG
40	40 AWG

Total length	
L	Default (150mm)
C	Custom length*

Tip	
S	Spot tip
E	Epoxy tip
F	Fab tip*

Wire termination	
X	No connector
M	Male connector
F	Female connector

\*Please provide R&M Electronics dimensions for custom requirement